



Electronic controls - Mac Control

Mac Control allows seven, easily adjustable, stroke-end positions by acting on the grip situated on both sides of the actuator.

Ergonomic design gives the actuator a pleasing appearance when mounted, creating continuity of lines and emphasizing the architectural structure of the window frames.

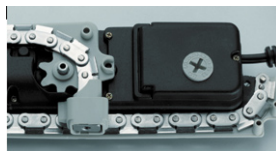
The electrical parts are double insulated and contained in a secure plastic body to ensure high protection levels.

On the chain end it is possible to achieve 10mm adjustment.



Colours:

Silver, Black and White

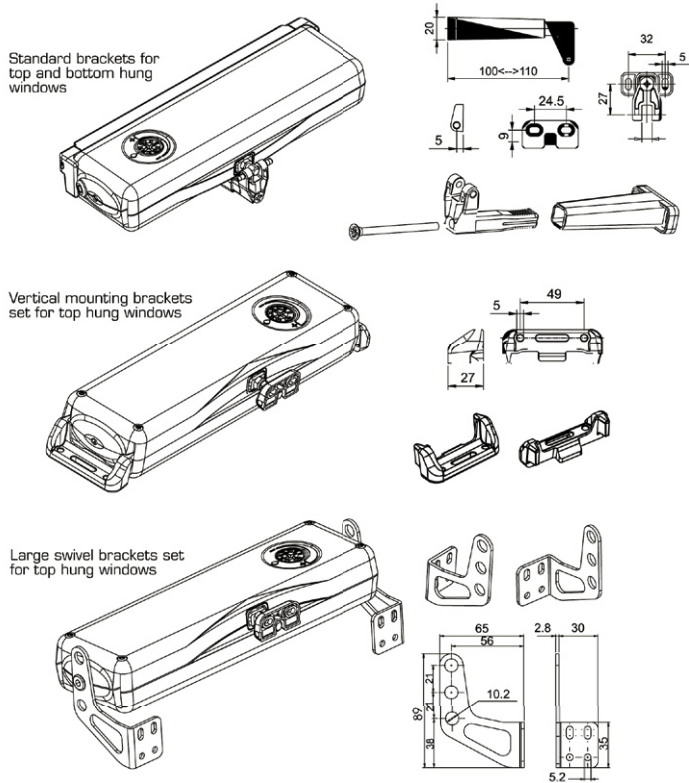


Key Features

- The Mac Acuator offers a 300N thrust and 400mm stainless steel chain
- 7 chain positions from 100mm to 400 mm
- 24 and 230 volt
- Double electric insulation
- IP 55
- 4 fitting screws to assist installation
- Buzzer indication to prevent incorrect installation
- Various bracket to assist installation



TECHNICAL SPECIFICATION - MAC CONTROL

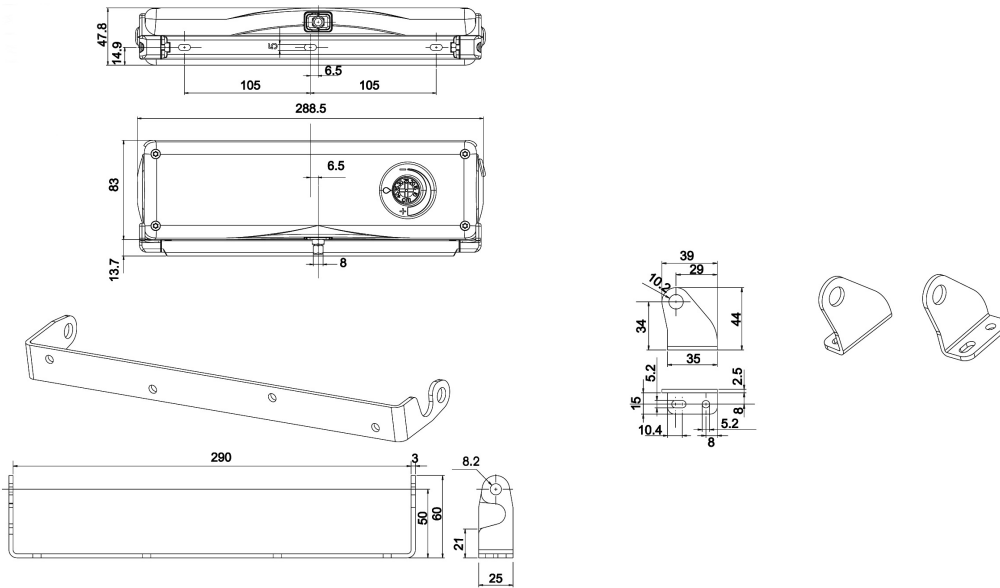


TECHNICAL SPECIFICATION - MAC CONTROL

	Mac Control		Mac Control
Power supply voltage	230 V ~ 50 Hz		24V DC
Max recommended load in thrust/traction position	300 N		300 N
Stroke and adjustable at	10-15-20-25-30-35-40 cm		
Absorbed current	0.32 A		2.10 A
Idle translation speed	28 mm/s		18 mm/s
Duration of the idle stroke	14 s		22s
Double electric installation	YES		-
Service type	S2 of 2 min		S2 of 3 min
Operating temperature		-5 + 50 °C	
Protection degree of electric devices		IP55	
Stroke end regulation (in closing) to window frame		10 mm	
Connection of two or more actuators in parallel		YES	
Connection/synchronisation of two or three ACK4* on the same window		With kit USA2-3 only	
Chain position control		YES	
Electronics with acoustic device to warn the user of wrong installation		YES	
Weight** of installed equipment		1,9 Kg	
(*min. distance between the motors: 1500mm)			
(**the weight indicated in the table is subject to eventual variations according to the accessories chosen)			



TECHNICAL SPECIFICATION - MAC CONTROL



DESCRIPTION FOR TECHNICAL SPECIFICATIONS

<p>Electric actuator TOPP model ACK4 with double-link chain made of STAINLESS steel, contained in a die-cast body of aluminum alloy coated by epoxy powders, complete with support and fitting accessories for top and bottom hung windows. Operation at 230 V ~ 50 Hz, as an alternative, at 24 V d.c.. Max. traction and thrust force 300 N. Max. stroke of 40 cm.</p> <p>Electronic stroke-end adjustable every 5 cm. by an external handgrip.</p> <p>Electronics with acoustic device that warns of any eventual incorrect installations.</p> <p>Electronic stroke end through an external handgrip on both sides of the actuator body. If required, USA2/3 synchronization unit available, for the simultaneous running of 2 or 3 actuators on the same window. Protection degree of electric devices IP55. CE marked device complying with the following directives: EEC 89/336, EEC 73/23 and following amendments.</p>
