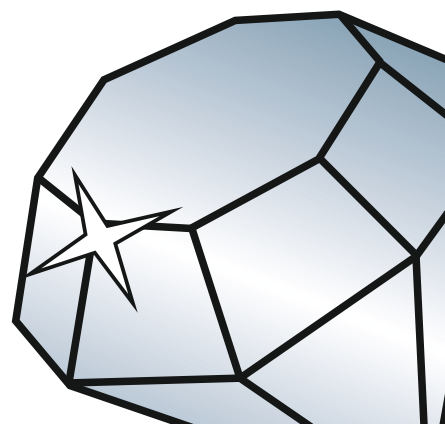


# Lean-To Aluminium Roof

## Assembly Guide



DURATION  
WINDOWS



## Step One

# DURATION WINDOWS

### Base Construction

- Start by building and fixing the conservatory base into position. This will provide the structural base to fix the roof to.



## Step Two

### Ring Beam Construction

- Parts

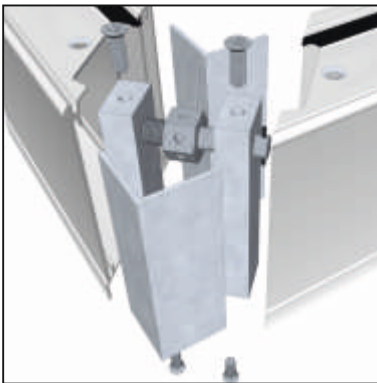


Standard Ring Beam



Ring Beam Clamp Bracket

- Assemble ring beam in an open area such as a lawn.



Insert corner cleats and clamp bracket into one section of the ring beam. Screw into place using screws provided.



Take the next section of ring beam and screw into place. Silicone screws in place to make water tight.



Silicone edges of ring beam then tighten the clamp bracket until both the sections of ring beam are flush with each other. Repeat until all section of ring beam are connected.



- Lift constructed ring beam onto conservatory and fix up from product below.

# Step Three

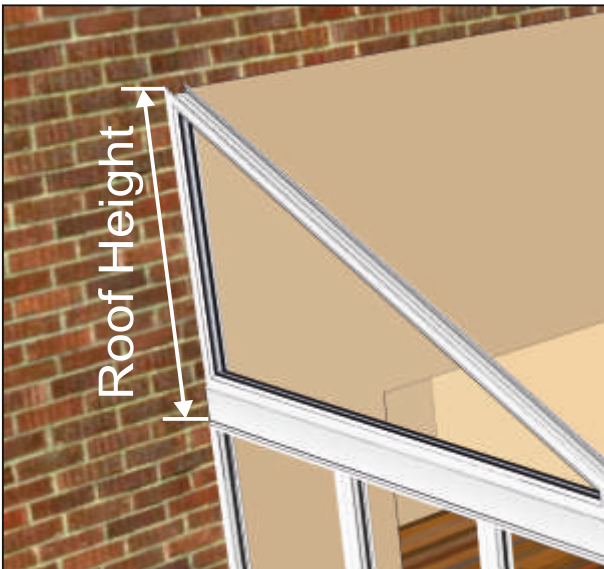
# DURATION WINDOWS

## Fitting End Frames

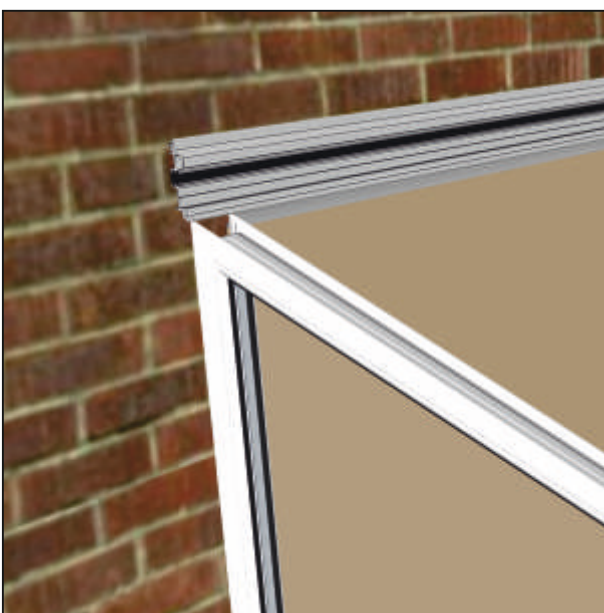


- If applicable fix end frames into position.
- Fix down through the window frame and into the ring beam and into the back wall.
- Keep all fixings to the outer side of the outer frame.
- Silicone all screws and joints to keep water tight.

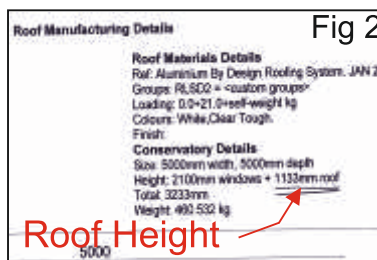
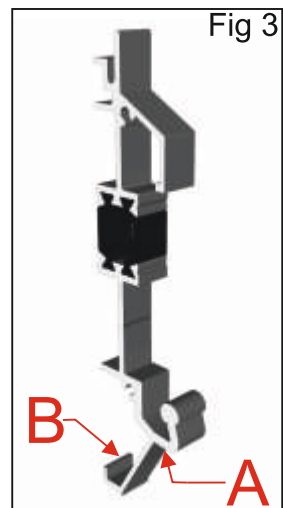
## Fitting Wall Plate



- Mark the position of the wall plate (ADB226-227).
- On your roof manufacturing details there will be a section with the height measurements (Fig 2). The roof height is the measurement used to help position the wall plate.
- The height is measured from the base of the ring beam (not including the lip) Fig 1.
- Mark a line at the height stated. This is the position on the wall plate.
- Fig 3 shows a cut through section of the wall plate. Point A is the point that will line up with the previously marked height on the wall.
- Once the marked position and point A on the wall plate line up fix into position through the pre-drilled holes.



- Please note Leg B (Fig3) will need to be partially removed for racked frames.



Wall Plate ABD226-227

We reserve the right to make changes to the product specification as technical developments dictate and without prior notice. Pictures shown in this document are for illustrative purposes only and are not binding in detail, colour or specification.

# Step Four

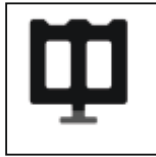
## Assembling Glazing Rafter To Wall Plate Adapter



ABD303

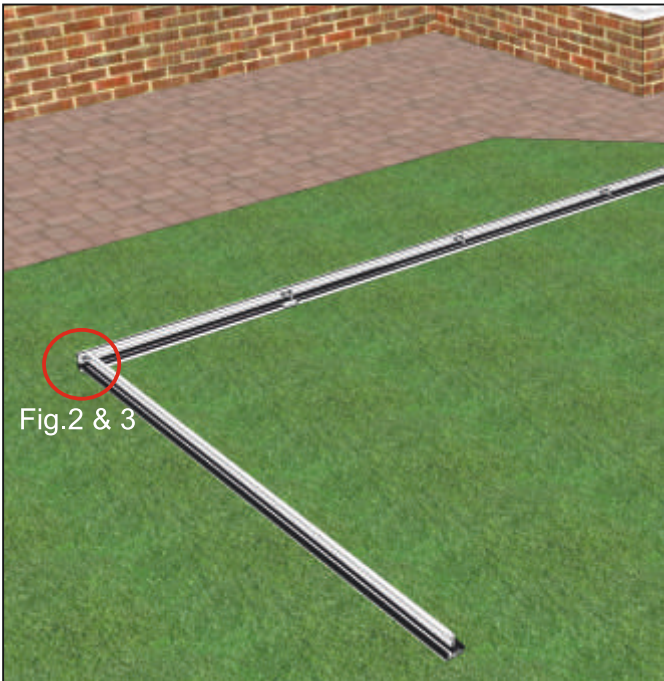


ABD306



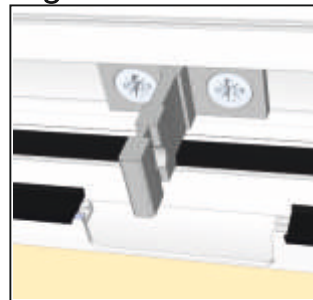
ABD308

- All gaskets on the glazing bars and wall plate adapter will be pre-inserted in our factory.
- This helps to minimise the time spent on installing the roof.



- Assemble the first glazing bar to wall plate adaptor using the attached tee cleats (Fig.1 , Fig.2 & Fig.3).
- Screw into position. (Shown in Fig.3)
- Silicone all screws and joints to keep water tight.
- This should be done in an open area such as a lawn.

Fig. 1



Tee Cleats (ABD208) are screwed into position at the factory.

These are another feature used to minimise install time.

Fig. 2

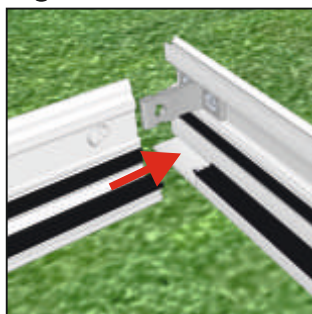
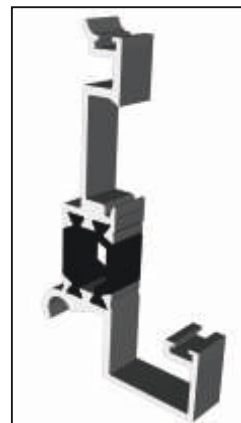


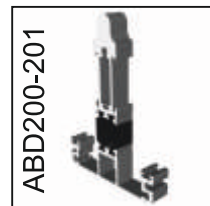
Fig. 3



Rafter & Adapter  
After Assembly



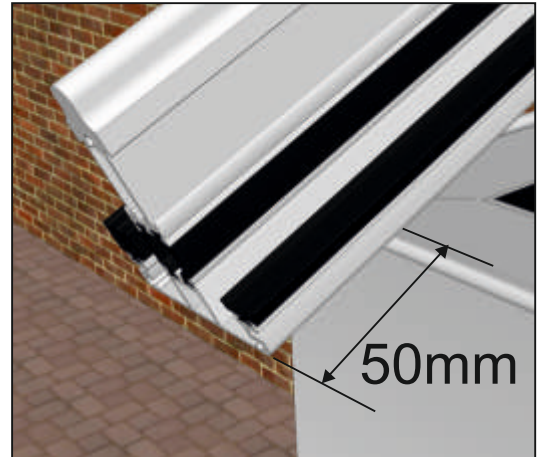
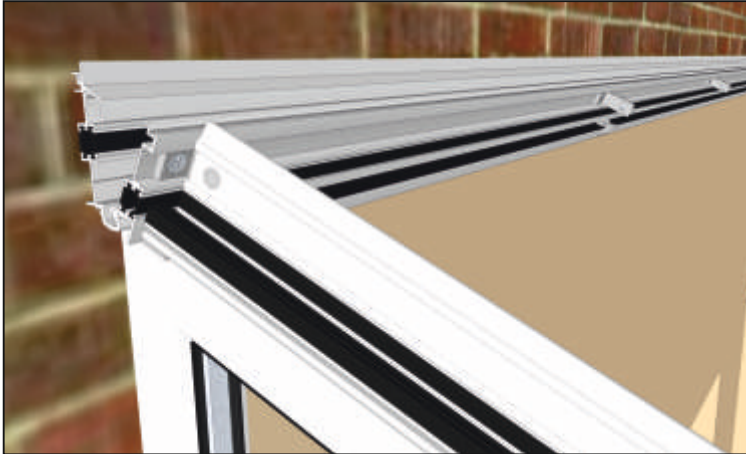
Wall Plate Adaptor  
ABD224-225



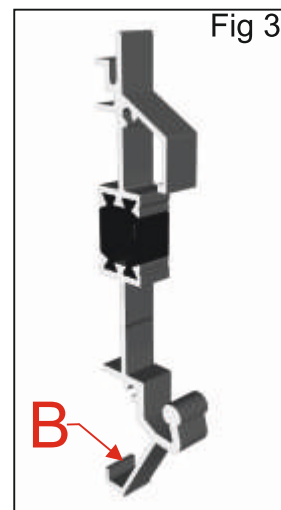
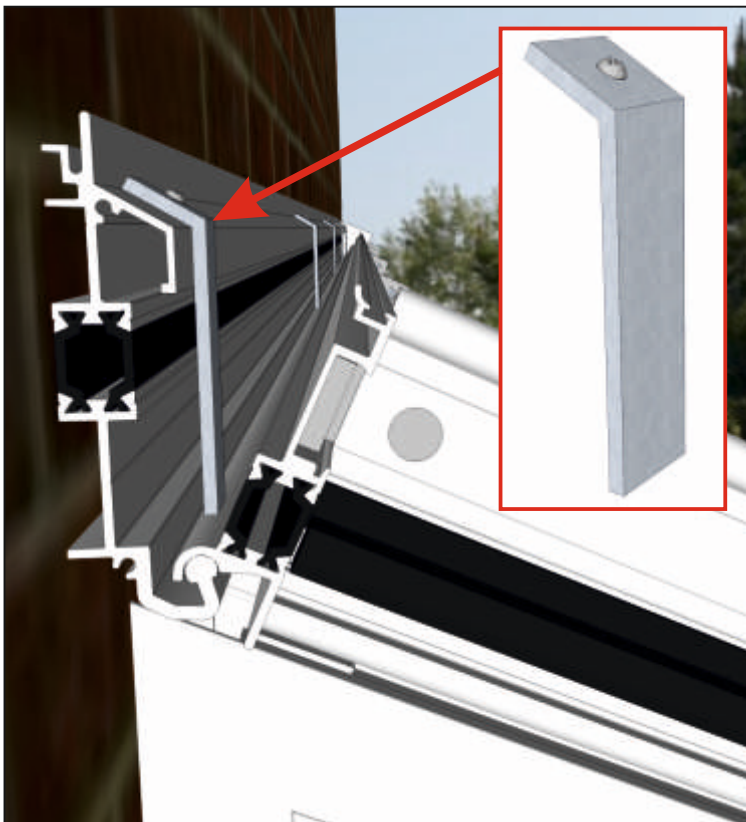
## Step Five

# DURATION WINDOWS

### Fixing First Glazing Rafter & Wall Plate Adapter



- With help lift wall plate adapter and first glazing bar over the top of the constructed base and engage onto wall plate.
- The glazing bar will have a 50mm overhang at the base of the roof unless specified otherwise.



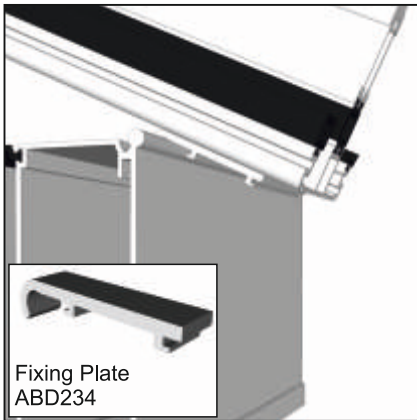
Wall Plate ABD226-227

- Once the assembled wall plate adapter and glazing bar is in position fit wall plate retaining brackets along the entire width of the plate with screws provided.
- Please note Leg B (Fig3) has been partially removed for the racked frame.

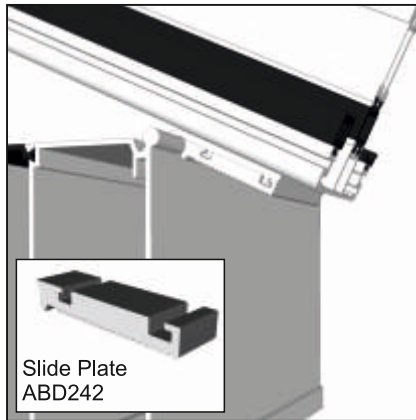
We reserve the right to make changes to the product specification as technical developments dictate and without prior notice. Pictures shown in this document are for illustrative purposes only and are not binding in detail, colour or specification.

# Step Six

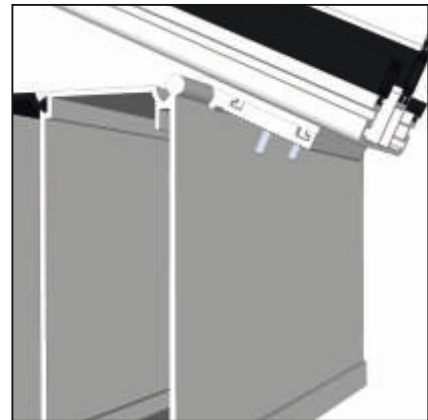
## Fixing Glazing Rafter To Ring Beam



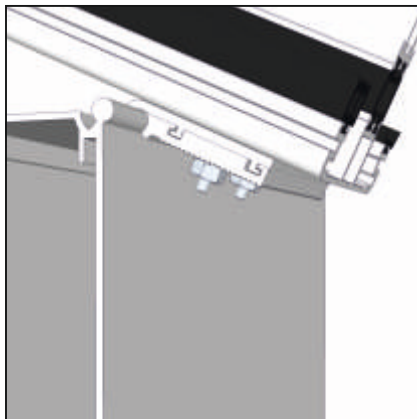
- Insert fixing plate (ABD234) onto ring beam support.



- Insert slide plate (ABD242) into position showed on fixing plate.

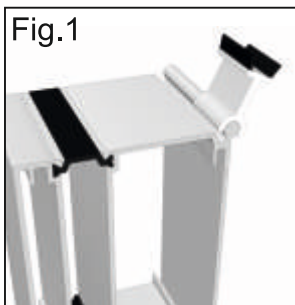


- Insert screws through the glazing bar, fixing plate and slide plate.



- Start to screw bolts into place until tight.
- Once fully tightened bar will be sufficiently held in place.

## Fixing Ring Beam Infill Into Place



- Next snap the ring beam infill (ABD248) into position.
- The infill snaps onto the ring beam support (Fig.1) and goes between each glazing bar. (Fig.2)
- This helps space the glazing bars.
- Repeat until all infills are snapped into position.

We reserve the right to make changes to the product specification as technical developments dictate and without prior notice. Pictures shown in this document are for illustrative purposes only and are not binding in detail, colour or specification.

## Step Seven

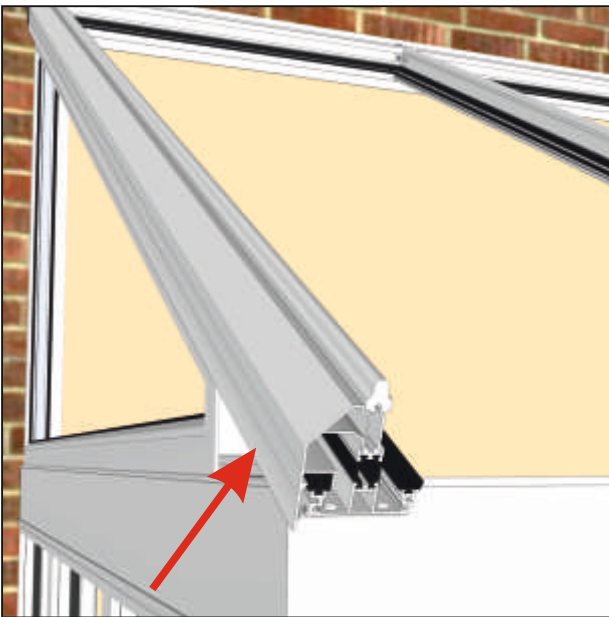
# DURATION WINDOWS

### Fixing Remaining Glazing Rafters To Ring Beam



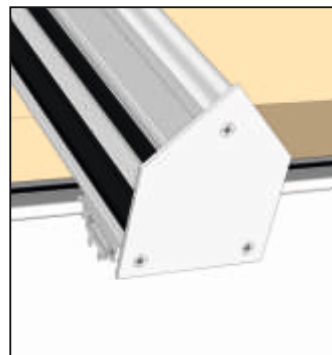
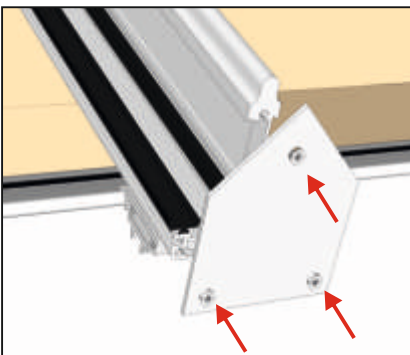
- Slide glazing bar onto its tee cleat and fix in place. (shown in step 4)
- Fix glazing bar to ring beam. (Shown in step 6)
- Repeat with each glazing bar.
- Finally once all glazing bars are fitted in place screw up through the raked frame into the glazing bar to secure in place.
- Silicone all screws and joins for a weather tight seal.

### End Bar, End Caps & Infills



- Snap gable end bar (ABD212) into place on the outer side of the first and last glazing bar.

ABD212



- Screw fix glazing bar end caps (ABD316 or ABD317 depending on glazing bar used).
- Silicone screws and joins to keep water tight.



- Continue fixing process until all end caps are fitted.

We reserve the right to make changes to the product specification as technical developments dictate and without prior notice. Pictures shown in this document are for illustrative purposes only and are not binding in detail, colour or specification.



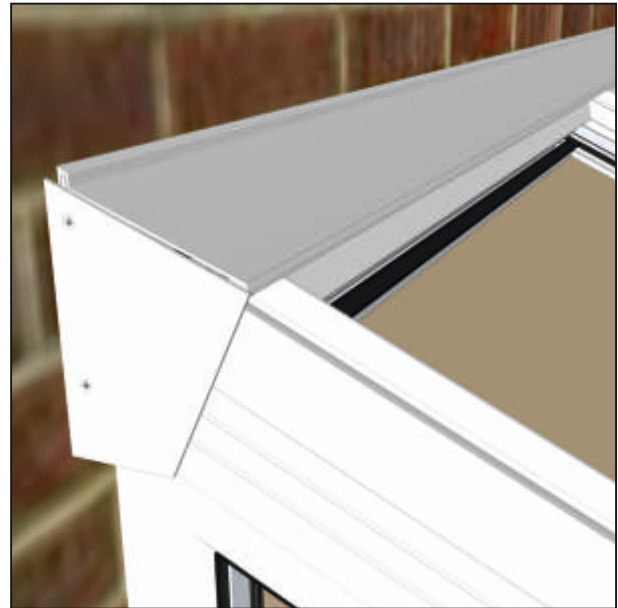
## Step Eight

# DURATION WINDOWS

### Caps & Lead Supports



- Place the lead support into position on the wall plate.



- Screw wall plate end cap into position.
- There will be one or two of these caps depending on the style you requested and build situation.



- Once the lead support is in position insert lead into wall and dress appropriate to your requirements and build situation.

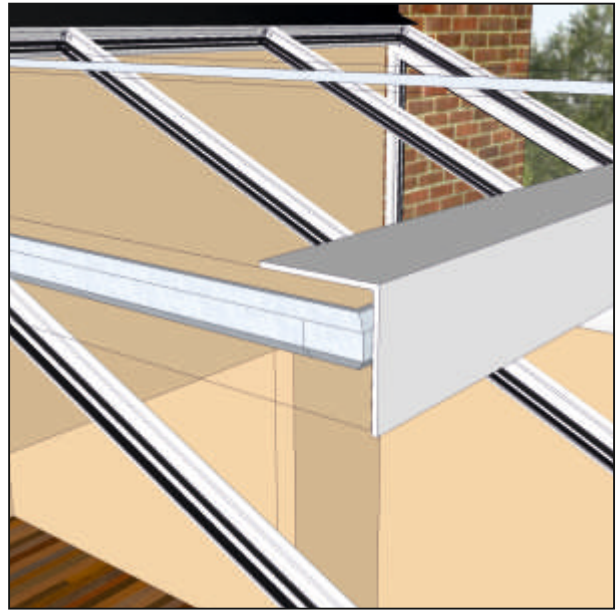
## Step Nine

# DURATION WINDOWS

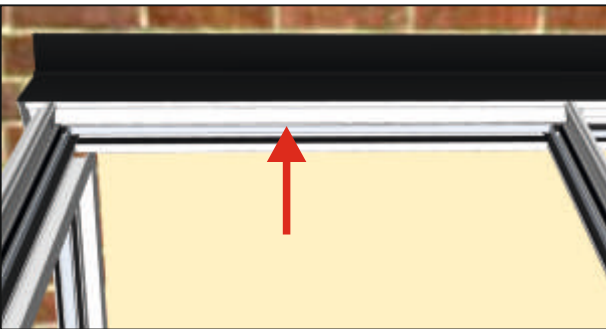
### Glazing



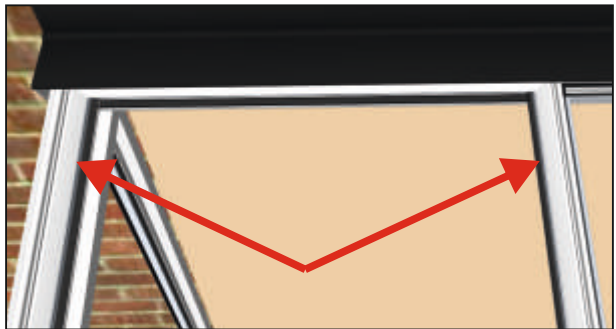
- Start with unit one on the left hand side.
- Rest first section of glazing on the wall plate adapter.



- While the glazed unit is in this position apply the end trim (ABD140) to the bottom edge of the glazed unit.
- Place glazed unit with end trim down onto the rafters. The unit & trim will sit behind the end caps which holds it in position.



- Snap 1st glazing bead (ABD210) into the wall plate adapter at the top of the glazed unit.
- Please note all gaskets that seal against the glass will be pre inserted in our factory ready for installation.



- Now snap the two side beads into position on the glazing bars.
- Please note all gaskets that seal against the glass will be pre inserted in our factory ready for installation.

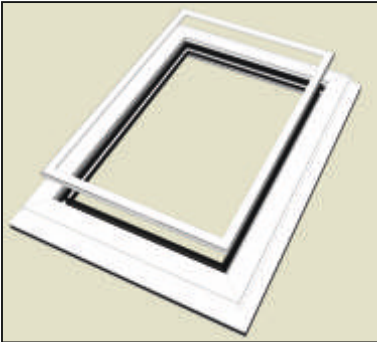


- Repeat the glazing steps for each pane of glass until the roof is completed.
- If applicable glaze the end frame windows.
- Finally glaze the rest of the conservatory if applicable to your build.

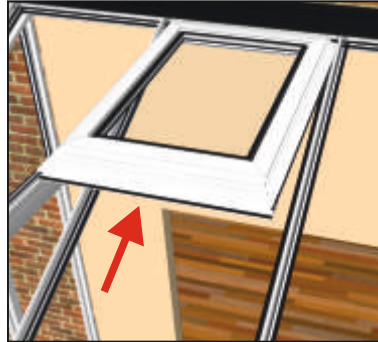
We reserve the right to make changes to the product specification as technical developments dictate and without prior notice. Pictures shown in this document are for illustrative purposes only and are not binding in detail, colour or specification.

# Roof Vents

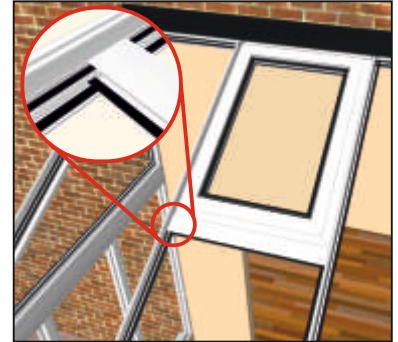
## Installing A Roof Vent



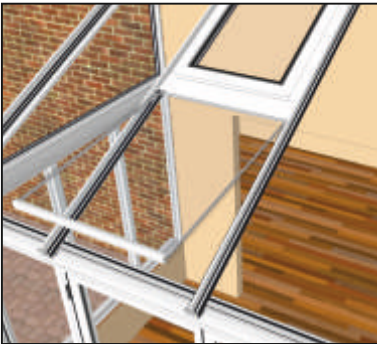
- Roof vent/s will come pre-assembled and unglazed.
- Step one remove beads.
- Please seal all joints on site for weather tightness.



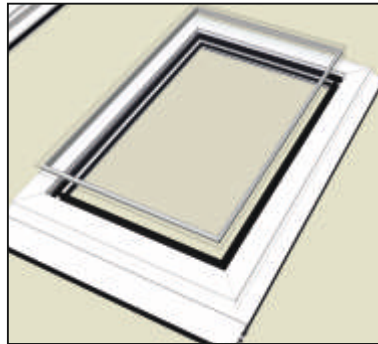
- Lift the vent into position and add transom.



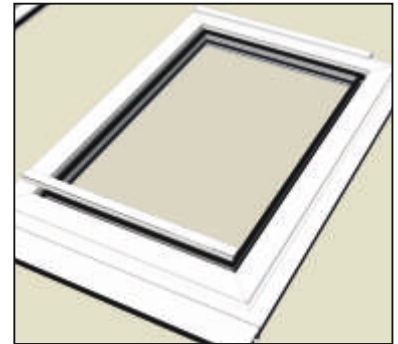
- Glazing bars are pre-prepared for the transom to sit flush
- Bed transom down with silicone onto glazing bar.



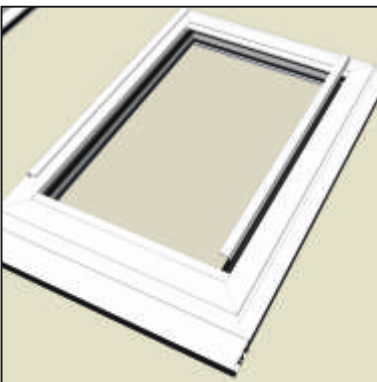
- Insert glazed unit into transom.
- Slip end cap into place.
- Bead as normal: Top first then either side. (This secures the vent & bottom glazed unit in place)
- Gaskets used to seal against the glass / vent will be pre inserted in our factory ready for installation.



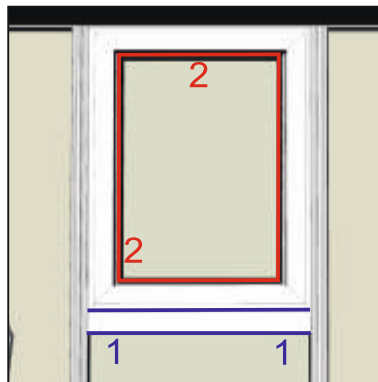
- Insert glazed unit into roof vent.



- Snap top and bottom beads into place.



- Snap side beads into place.



- Gasket all components.
- 1: use ABD305 (or ABD304)
- 2: use ABD302 (or ABD301)



- Once installed continue glazing the rest of the roof.

We reserve the right to make changes to the product specification as technical developments dictate and without prior notice. Pictures shown in this document are for illustrative purposes only and are not binding in detail, colour or specification.

